

## Description

Single pole thermal-magnetic circuit breakers with tease-free, trip-free, press-to-reset snap action mechanism and special dual button manual release which avoids the danger of unintended disconnection (M-type TM CBE to EN 60934). Surface mounted, compact design available with fast acting, standard and delayed switching characteristics. Options include auxiliary contact and remote electrical disconnection.

## Typical applications

Heavy duty vehicles, battery systems, process control.

## Ordering information

Type No.	Description
446	single pole base mounting, fast characteristic curve
447	single pole base mounting, medium delay characteristic curve
449	single pole base mounting, delayed characteristic curve
<b>Terminal design, mounting</b>	
K	screw terminals M12, insertion nuts M8
S	screw terminals M12, insertion nuts 5/16-18
<b>Manual release</b>	
H	standard
<b>Version</b>	
N	general application (type 446 only)
FN	general application (types 447 and 449 only)
<b>Auxiliary contacts (optional)</b>	
Si	2 electrically separate auxiliary contacts with screw terminals M3.5 and blade terminals DIN 46244-C-MS-S
<b>Remote trip (optional for types 447 and 449)</b>	
FA12	DC 12 V coil voltage
FA24	DC 24 V coil voltage
<b>Current ratings</b>	
30...400 A	type 446
100...400 A	type 447
125...500 A	type 449

447 - K - H - FN - ... - ... - 400 A ordering example

The exact part number required can be built up from the table of choices shown above. Ordering references for optional features should be omitted if not required.

## Standard current ratings and typical internal resistance values

Type	Current rating (A)	Internal resistance (Ω)	Current rating (A)	Internal resistance (Ω)		
Type 446	30	0.006	Type 447	100	< 0.002	
	40	0.0048		125	< 0.001	
	50	0.0038		160	< 0.001	
	60	0.0028		225	< 0.001	
	70	0.0025		300	< 0.001	
	80	0.0023		400	< 0.001	
	90	0.0019		400	< 0.001	
	100	0.0016		Type 449	125	< 0.001
	125	< 0.001		160	< 0.001	
	150	< 0.001		225	< 0.001	
	170	< 0.001		315	< 0.001	
	200	< 0.001		350	< 0.001	
	225	< 0.001		400	< 0.001	
250	< 0.001	500	< 0.001			
300	< 0.001	500	< 0.001			
350	< 0.001	only with 50 % ON duty				
400	< 0.00					

All dimensions without tolerances are for reference only. In the interest of improved design, performance and cost effectiveness the right to make changes in these specifications without notice is reserved. Product markings may not be exactly as the ordering codes. Errors and omissions excepted.



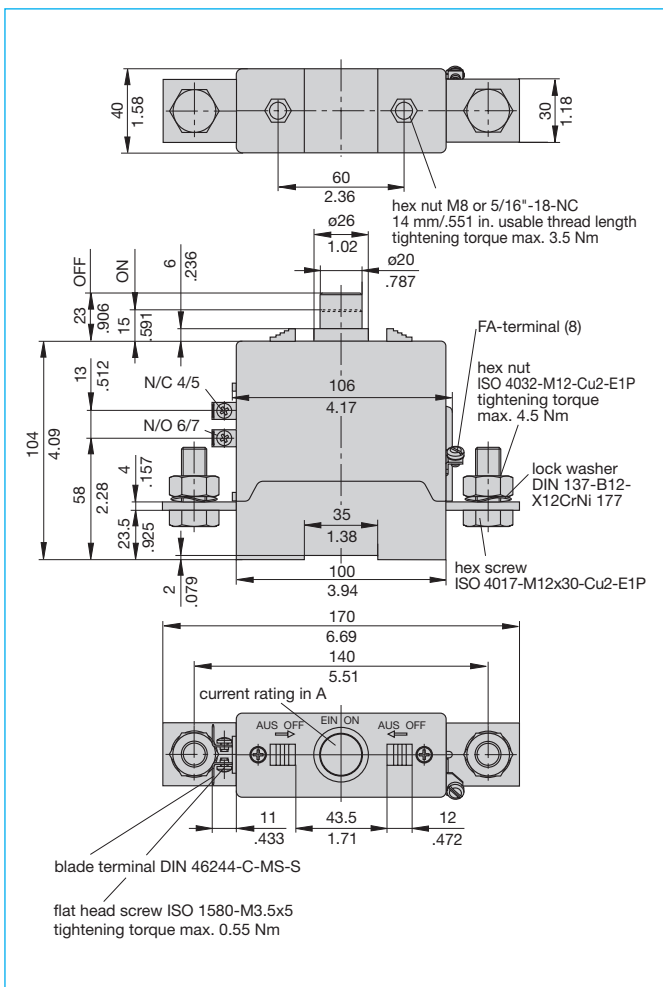
## Technical data

Voltage rating	DC 28 V	
Current rating range	type 446: 30...400 A type 447: 100...400 A type 449: 125...500 A	
Auxiliary circuit	10 A	
Electrical remote disconnection (-FA)	operating voltage DC 12 V or DC 24 V operating current approx. 18 A or 12 A max. pulse time 10 ms < t <sub>ON</sub> < 20 ms / t <sub>OFF</sub> > 10 s switching time < 20 ms	
Typical life	1,000 operations at I <sub>N</sub> 2,000 operations mechanical	
Ambient temperature	-55...+75 °C (-67...+167 °F)	
Insulation co-ordination (IEC 60664 and 60664A)	rated impulse withstand voltage 1.5 kV	pollution degree 3
Dielectric strength (IEC 60664 and 60664A)	test voltage operating area main circuit to auxiliary contacts	AC 1,000 V AC 1,000 V
Insulation resistance	> 100 MΩ (DC 500 V)	
Interrupting capacity I <sub>cn</sub>	10,000 A	
Degree of protection (IEC 60529/DIN 40050)	operating area IP40 terminal area IP00	
Vibration	to VG 95210, sheet 19, IEC 60068-2-6, test Fc: without aux. contacts: 10 g (56-500 Hz), ± 0.76 mm (10-55 Hz) with auxiliary contacts: 4 g (56-500 Hz), ± 0.30 mm (10-56 Hz)	
Shock	to VG 95210, sheet 28, IEC 60068-2-27, test Ea: without aux. contacts: 50 g (11 ms) with auxiliary contacts: 20 g (11 ms)	
Corrosion	96 hours at 5 % salt mist to VG 95210, sheet 2, IEC 60068-2-11, test Ka	
Humidity	240 hours at 95 % RH to VG 95210, sheet 7, IEC 60068-2-3, test C	
Mass	approx. 850 g	

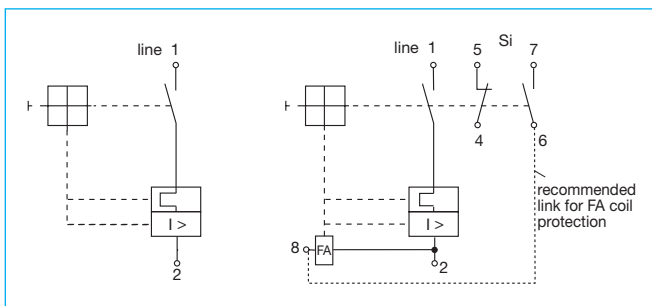
## Approvals

Authority	Voltage ratings	Current ratings
Type 446: UL	DC 28 V	30...400 A
Type 447: UL	DC 28 V	100...400 A
	QPL Sweden	DC 28 V
Type 449: UL	DC 28 V	125...350 A
	VG 95345, part 15	DC 28 V
		125...500 A

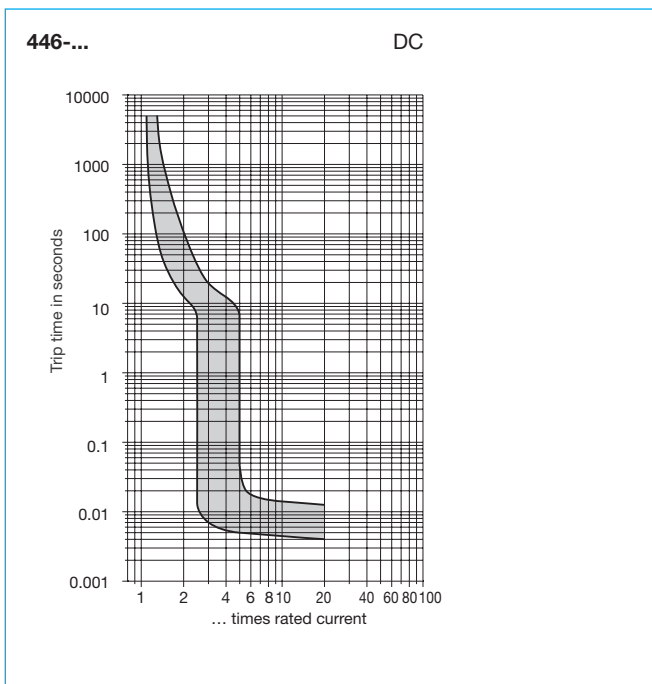
## Dimensions



## Internal connection diagrams



## Typical time/current characteristics at +23 °C/+73.4 °F



This is a metric design and millimeter dimensions take precedence ( $\frac{\text{mm}}{\text{inch}}$ )

## Typical time/current characteristics

